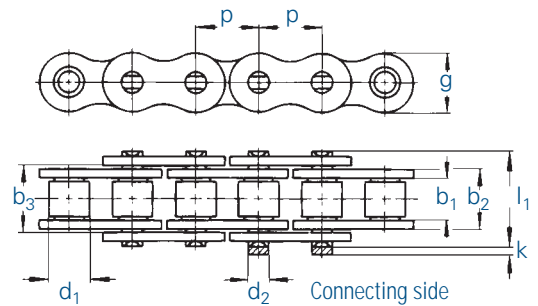




SIMPLEX ROLLER CHAINS ACCORDING TO DIN 8187-1 (EUROPEAN TYPE)

corresponding to ISO 606



| Chain | | DIN | Pitch | | Inner width b ₁ min. | Inner link width b ₂ max. | Outer plate width b ₃ min. | Roller Ø d ₁ max. | Pin Ø d ₂ max. | Plate height g max. | Projec- tion over con- necting link k max. | Width over pin l ₁ max. | Bearing area f | Minimum tensile strength DIN F _B min. | Minimum tensile strength F _B min. | Weight q ≈ | Connecting links |
|-------|--------------|--------|--------|-------|------------------------------------|-----------------------------------------|------------------------------------------|---------------------------------|------------------------------|------------------------|--------------------------------------------------------|---------------------------------------------|----------------------|--------------------------------------------------------------|-------------------------------------------------------|------------------|---------------------|
| No. | Ind. | | mm | inch | | | | | | | | | | | | | |
| 440 | | 03 | 5,0 | - | 2,50 | 4,15 | 4,25 | 3,20 | 1,49 | 4,1 | 2,5 | 7,4 | 0,06 | 2,2 | 2,2 | 0,08 | 11,15 |
| 445 | | 04 | 6,0 | - | 2,80 | 4,10 | 4,20 | 4,00 | 1,85 | 5,0 | 2,9 | 7,4 | 0,08 | 3,0 | 3,0 | 0,15 | 11,15 |
| 450 | | 05 B-1 | 8,0 | - | 3,00 | 4,77 | 4,90 | 5,00 | 2,31 | 7,1 | 3,1 | 8,6 | 0,11 | 5,0 | 5,5 | 0,18 | 11,15 |
| 453 | | - | 9,525 | 3/8 | 3,30 | 5,45 | 5,58 | 6,00 | 2,78 | 9,0 | 3,1 | 9,6 | 0,15 | 8,0 | 8,2 | 0,26 | 11,15,111 |
| 454 | | - | 9,525 | 3/8 | 3,94 | 6,70 | 6,83 | 6,35 | 3,28 | 9,0 | 3,3 | 11,6 | 0,22 | 9,0 | 9,4 | 0,36 | 11,12,15 |
| 455 | ¹ | 06 B-1 | 9,525 | 3/8 | 5,72 | 8,53 | 8,66 | 6,35 | 3,28 | 8,2 | 3,3 | 13,5 | 0,28 | 9,0 | 9,6 | 0,41 | 11,12,15 |
| 331 | | 081 | 12,7 | 1/2 | 3,30 | 5,80 | 5,93 | 7,75 | 3,66 | 9,9 | 1,5 | 10,2 | 0,21 | 8,2 | 9,1 | 0,28 | 11,12,15 |
| 332 | | - | 12,7 | 1/2 | 4,88 | 7,20 | 7,33 | 7,75 | 3,66 | 9,9 | 1,5 | 11,2 | 0,26 | 8,2 | 9,1 | 0,33 | 11,12,15 |
| 110 | | 082 | 12,7 | 1/2 | 2,38 | 4,60 | 4,73 | 7,75 | 3,66 | 9,9 | - | 8,2 | 0,17 | 10,0 | 10,0 | 0,26 | 15,111 |
| 17 | | 083 | 12,7 | 1/2 | 4,88 | 7,90 | 8,03 | 7,75 | 4,09 | 10,3 | 1,5 | 12,9 | 0,32 | 12,0 | 13,2 | 0,42 | 11,12,15 |
| 385 | | - | 12,7 | 1/2 | 6,40 | 9,78 | 9,91 | 7,75 | 3,97 | 11,5 | 3,9 | 15,4 | 0,38 | 16,0 | 17,1 | 0,50 | 11,12,15 |
| 461 | | - | 12,7 | 1/2 | 6,40 | 9,93 | 10,06 | 8,51 | 4,45 | 11,8 | 3,9 | 15,8 | 0,44 | 18,0 | 18,6 | 0,66 | 11,12,15 |
| 462 | | 08 B-1 | 12,7 | 1/2 | 7,75 | 11,30 | 11,43 | 8,51 | 4,45 | 11,8 | 3,9 | 17,0 | 0,50 | 18,0 | 18,6 | 0,70 | 11,12,15 |
| 500 | | - | 15,875 | 5/8 | 6,48 | 10,08 | 10,21 | 10,16 | 5,08 | 14,7 | 4,1 | 16,4 | 0,51 | 22,4 | 27,5 | 0,78 | 11,12,15 |
| 501 | | 10 B-1 | 15,875 | 5/8 | 9,65 | 13,28 | 13,41 | 10,16 | 5,08 | 14,7 | 4,1 | 19,6 | 0,67 | 22,4 | 27,0 | 0,91 | 11,12,15 |
| 513 | | 12 B-1 | 19,05 | 3/4 | 11,68 | 15,62 | 15,75 | 12,07 | 5,72 | 16,1 | 4,6 | 22,7 | 0,89 | 29,0 | 31,0 | 1,18 | 11,12,15 |
| 548 | | 16 B-1 | 25,4 | 1 | 17,02 | 25,40 | 25,60 | 15,88 | 8,28 | 21,0 | 5,4 | 36,1 | 2,10 | 60,0 | 72,0 | 2,68 | 11,111,12 |
| 552 | | - | 30,0 | - | 17,02 | 25,40 | 25,60 | 15,88 | 8,28 | 21,0 | 5,4 | 36,1 | 2,10 | 60,0 | 72,0 | 2,50 | 11,111,12 |
| 563 | | 20 B-1 | 31,75 | 1 1/4 | 19,56 | 29,00 | 29,20 | 19,05 | 10,19 | 26,4 | 6,1 | 43,2 | 2,96 | 95,0 | 105,0 | 3,50 | 11,111,12 |
| 596 | | 24 B-1 | 38,1 | 1 1/2 | 25,40 | 37,90 | 38,20 | 25,40 | 14,63 | 33,4 | 6,6 | 53,4 | 5,54 | 160,0 | 180,0 | 6,80 | 111,12 |
| 613 | | 28 B-1 | 44,45 | 1 3/4 | 30,99 | 46,50 | 46,80 | 27,94 | 15,90 | 37,0 | 7,4 | 65,1 | 7,39 | 200,0 | 230,0 | 8,50 | 111,12 |
| 652 | | 32 B-1 | 50,8 | 2 | 30,99 | 45,50 | 45,80 | 29,21 | 17,81 | 42,2 | 7,9 | 67,4 | 8,10 | 250,0 | 276,0 | 10,50 | 111,12 |
| 671 | | 40 B-1 | 63,5 | 2 1/2 | 38,10 | 55,70 | 56,00 | 39,37 | 22,89 | 52,9 | 10,0 | 82,6 | 12,75 | 355,0 | 405,0 | 16,40 | 111,12 |
| 679 | | 48 B-1 | 76,2 | 3 | 45,72 | 70,50 | 71,00 | 48,26 | 29,24 | 63,8 | 10,0 | 99,1 | 20,61 | 560,0 | 630,0 | 25,00 | 111 |

Electrogalvanised or nickel-plated chains on request. In this case chains may only have 80 % of the tensile strength.

¹ with straight side plates

For details on orders and enquiries see page 128. Standard sprockets as of page 75.
Information on the selection of chain sizes and drives as of page 115.

Connecting links: According to DIN (...)



No. 4 (B)

Inner link



No. 7 (A)

Outer link
(to be riveted)



No. 11 (E)

Spring clip
connecting link



No. 111 (S)

Connecting link with
cottered pin



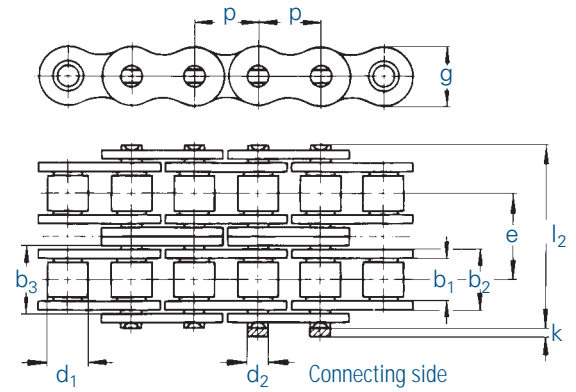
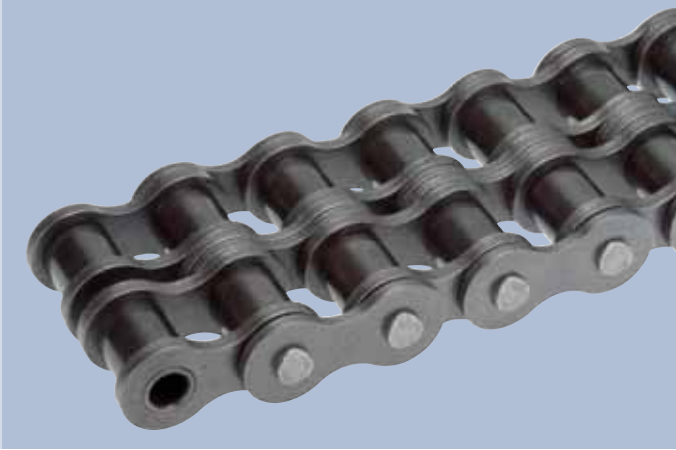
No. 12 (L)

Single
cranked link



No. 15 (C)

Double
cranked link



| Chain | | DIN | Pitch | | Inner width b_1 min. | Inner link width b_2 max. | Outer plate width b_3 min. | Roller \varnothing d_1 max. | Pin \varnothing d_2 max. | Transverse pitch e | Plate height g max. | Projection over connecting link k max. | Width over pin l_2 max. | Bearing area f | Minimum tensile strength DIN F_B min. | Minimum tensile strength \varnothing F_B min. | Weight $q \approx$ | Connecting links No. |
|-------|--------------|--------|--------|----------------|---------------------------|--------------------------------|---------------------------------|------------------------------------|---------------------------------|-------------------------|--------------------------|---------------------------------------------|------------------------------|---------------------|--------------------------------------------|------------------------------------------------------|-----------------------|-------------------------|
| No. | Ind. | | No. | mm | | | | | | | | | | | | | | |
| D 445 | | - | 6,0 | - | 2,80 | 4,10 | 4,25 | 4,00 | 1,85 | 5,50 | 5,0 | 2,9 | 13,3 | 0,14 | 5,0 | 5,0 | 0,23 | 11,15 |
| D 450 | | 05 B-2 | 8,0 | - | 3,00 | 4,77 | 4,90 | 5,00 | 2,31 | 5,64 | 7,1 | 3,1 | 14,3 | 0,22 | 7,8 | 8,2 | 0,36 | 11,15 |
| D 455 | ¹ | 06 B-2 | 9,525 | $\frac{3}{8}$ | 5,72 | 8,53 | 8,66 | 6,35 | 3,28 | 10,24 | 8,2 | 3,3 | 23,8 | 0,56 | 16,9 | 17,4 | 0,78 | 11,12,15 |
| D 462 | | 08 B-2 | 12,7 | $\frac{1}{2}$ | 7,75 | 11,30 | 11,43 | 8,51 | 4,45 | 13,92 | 11,8 | 3,9 | 31,0 | 1,01 | 32,0 | 37,0 | 1,36 | 11,12,15 |
| D 501 | | 10 B-2 | 15,875 | $\frac{5}{8}$ | 9,65 | 13,28 | 13,41 | 10,16 | 5,08 | 16,59 | 14,7 | 4,1 | 36,2 | 1,34 | 44,5 | 54,0 | 1,82 | 11,12,15 |
| D 513 | | 12 B-2 | 19,05 | $\frac{3}{4}$ | 11,68 | 15,62 | 15,75 | 12,07 | 5,72 | 19,46 | 16,1 | 4,6 | 42,2 | 1,79 | 57,8 | 63,0 | 2,38 | 11,12,15 |
| D 548 | | 16 B-2 | 25,4 | 1 | 17,02 | 25,40 | 25,60 | 15,88 | 8,28 | 31,88 | 21,0 | 5,4 | 68,0 | 4,21 | 106,0 | 140,0 | 5,30 | 11,111,12 |
| D 563 | | 20 B-2 | 31,75 | $1\frac{1}{4}$ | 19,56 | 29,00 | 29,20 | 19,05 | 10,19 | 36,45 | 26,4 | 6,1 | 79,0 | 5,91 | 170,0 | 210,0 | 7,30 | 11,111,12 |
| D 596 | | 24 B-2 | 38,1 | $1\frac{1}{2}$ | 25,40 | 37,90 | 38,20 | 25,40 | 14,63 | 48,36 | 33,4 | 6,6 | 101,0 | 11,09 | 280,0 | 360,0 | 13,40 | 111,12 |
| D 613 | | 28 B-2 | 44,45 | $1\frac{3}{4}$ | 30,99 | 46,50 | 46,80 | 27,94 | 15,90 | 59,56 | 37,0 | 7,4 | 124,0 | 14,79 | 360,0 | 443,0 | 16,60 | 111,12 |
| D 652 | | 32 B-2 | 50,8 | 2 | 30,99 | 45,50 | 45,80 | 29,21 | 17,81 | 58,55 | 42,2 | 7,9 | 126,0 | 16,21 | 450,0 | 530,0 | 21,00 | 111,12 |
| D 671 | | 40 B-2 | 63,5 | $2\frac{1}{2}$ | 38,10 | 55,70 | 56,00 | 39,37 | 22,89 | 72,29 | 52,9 | 10,0 | 154,0 | 25,50 | 630,0 | 806,0 | 32,60 | 111,12 |
| D 679 | | 48 B-2 | 76,2 | 3 | 45,72 | 70,50 | 71,00 | 48,26 | 29,24 | 91,21 | 63,8 | 10,0 | 190,0 | 41,23 | 1000,0 | 1100,0 | 50,00 | 111 |

Electrogalvanised or nickel-plated chains on request. In this case chains may only have 80 % of the tensile strength.

¹ with straight side plates

For details on orders and enquiries see page 128. Standard sprockets as of page 75.
Information on the selection of chain sizes and drives as of page 115.

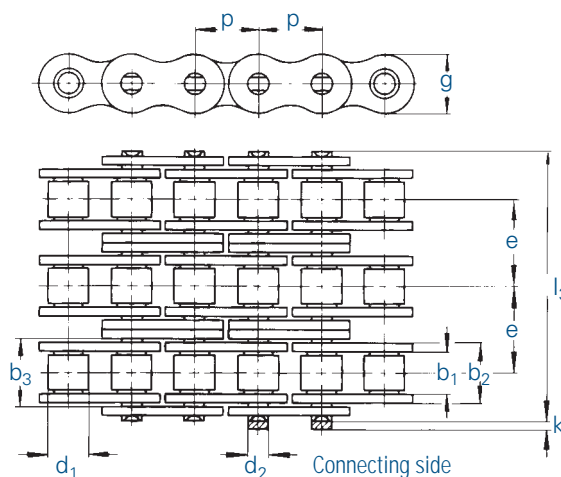
Connecting links: According to DIN (...)





TRIPLEX ROLLER CHAINS ACCORDING TO DIN 8187-1 (EUROPEAN TYPE)

corresponding to ISO 606



| Chain | | DIN | Pitch | | Inner width b_1 min. | Inner link width b_2 max. | Outer plate width b_3 min. | Roller Ø d_1 max. | Pin Ø d_2 max. | Transverse pitch e | Plate height g max. | Projection over connecting link k max. | Width over pin l_3 max. | Bearing area f | Minimum tensile strength DIN F_B min. | Minimum tensile strength F_B min. | Weight $q \approx$ | Connecting links No. |
|-------|--------------|--------|--------|----------------|---------------------------|--------------------------------|---------------------------------|------------------------|---------------------|-------------------------|--------------------------|---------------------------------------------|------------------------------|---------------------|--------------------------------------------|----------------------------------------|-----------------------|-------------------------|
| No. | Ind. | | mm | inch | | | | | | | | | | | | | | |
| T 450 | | 05 B-3 | 8,0 | - | 3,00 | 4,77 | 4,90 | 5,00 | 2,31 | 5,64 | 7,1 | 3,1 | 19,9 | 0,33 | 11,1 | 11,1 | 0,54 | 11,15 |
| T 455 | ¹ | 06 B-3 | 9,525 | $\frac{3}{8}$ | 5,72 | 8,53 | 8,66 | 6,35 | 3,28 | 10,24 | 8,2 | 3,3 | 34,0 | 0,81 | 24,9 | 24,9 | 1,18 | 11,12,15 |
| T 462 | | 08 B-3 | 12,7 | $\frac{1}{2}$ | 7,75 | 11,30 | 11,43 | 8,51 | 4,45 | 13,92 | 11,8 | 3,9 | 44,9 | 1,51 | 47,5 | 56,0 | 2,01 | 11,12,15 |
| T 501 | | 10 B-3 | 15,875 | $\frac{5}{8}$ | 9,65 | 13,28 | 13,41 | 10,16 | 5,08 | 16,59 | 14,7 | 4,1 | 52,8 | 2,02 | 66,7 | 80,0 | 2,70 | 11,12,15 |
| T 513 | | 12 B-3 | 19,05 | $\frac{3}{4}$ | 11,68 | 15,62 | 15,75 | 12,07 | 5,72 | 19,46 | 16,1 | 4,6 | 61,7 | 2,68 | 86,7 | 94,0 | 3,12 | 11,12,15 |
| T 548 | | 16 B-3 | 25,4 | 1 | 17,02 | 25,40 | 25,60 | 15,88 | 8,28 | 31,88 | 21,0 | 5,4 | 99,9 | 6,31 | 160,0 | 211,0 | 7,50 | 11,111,12 |
| T 563 | | 20 B-3 | 31,75 | $1\frac{1}{4}$ | 19,56 | 29,00 | 29,20 | 19,05 | 10,19 | 36,45 | 26,4 | 6,1 | 116,0 | 8,87 | 250,0 | 300,0 | 10,60 | 11,111,12 |
| T 596 | | 24 B-3 | 38,1 | $1\frac{1}{2}$ | 25,40 | 37,90 | 38,20 | 25,40 | 14,63 | 48,36 | 33,4 | 6,6 | 150,0 | 16,63 | 425,0 | 523,0 | 20,00 | 111,12 |
| T 613 | | 28 B-3 | 44,45 | $1\frac{3}{4}$ | 30,99 | 46,50 | 46,80 | 27,94 | 15,90 | 59,56 | 37,0 | 7,4 | 184,0 | 22,18 | 530,0 | 660,0 | 25,00 | 111,12 |
| T 652 | | 32 B-3 | 50,8 | 2 | 30,99 | 45,50 | 45,80 | 29,21 | 17,81 | 58,55 | 42,2 | 7,9 | 184,0 | 24,31 | 670,0 | 800,0 | 32,00 | 111,12 |
| T 671 | | 40 B-3 | 63,5 | $2\frac{1}{2}$ | 38,10 | 55,70 | 56,00 | 39,37 | 22,89 | 72,29 | 52,9 | 10,0 | 227,0 | 38,25 | 950,0 | 1140,0 | 48,70 | 111,12 |
| T 679 | | 48 B-3 | 76,2 | 3 | 45,72 | 70,50 | 71,00 | 48,26 | 29,24 | 91,21 | 63,8 | 10,0 | 281,0 | 61,84 | 1500,0 | 1720,0 | 75,00 | 111 |

Electrogalvanised or nickel-plated chains on request. In this case chains may only have 80 % of the tensile strength.

¹ with straight side plates

For details on orders and enquiries see page 128. Standard sprockets as of page 75. Information on the selection of chain sizes and drives as of page 115.

Connecting links: According to DIN (...)



No. 4 (B)

Inner link



No. 7 (A)

Outer link
(to be riveted)



No. 11 (E)

Spring clip
connecting link



No. 111 (S)

Connecting link with
cottered pin



No. 12 (L)

Single
cranked link



No. 15 (C)

Double
cranked link