

Chain		DIN	Pitch		Inner width b ₁ min.	Inner link width b ₂ max.	Outer plate width b ₃ min.	Roller Ø d ₁ max.	Pin Ø d ₂ max.	Plate height g max.	Projection over connecting link k max.	Width over pin l ₁ max.	Bearing area f	Minimum tensile strength DIN F _B min.	Minimum tensile strength F _B min.	Weight q ≈	Connecting links
No.	Ind.		mm	inch													
25	²	04 C-1	6,35	¼	3,18	4,80	4,85	3,30	2,31	6,0	2,5	9,0	0,11	3,5	3,5	0,13	11,15
35	²	06 C-1	9,525	⅜	4,68	7,47	7,52	5,08	3,58	9,1	3,3	13,2	0,27	7,9	10,2	0,35	11,12,15
40		08 A-1	12,7	½	7,85	11,15	11,28	7,95	3,96	12,0	3,9	17,8	0,44	14,1	16,5	0,60	11,12,15
50		10 A-1	15,875	⅝	9,40	13,80	13,93	10,16	5,08	15,0	4,1	21,8	0,70	22,2	30,0	1,01	11,12,15
60	⁹	12 A-1	19,05	¾	12,57	17,70	17,85	11,91	5,94	18,0	4,6	26,9	1,05	31,8	40,0	1,58	11,111,12,15
80	⁹	16 A-1	25,4	1	15,75	22,50	22,70	15,88	7,92	24,1	5,4	33,5	1,78	56,7	69,0	2,36	11,111,12
100	⁹	20 A-1	31,75	1¼	18,90	27,40	27,60	19,05	9,53	30,1	6,1	41,1	2,61	88,5	92,5	3,80	111,12
120	⁹	24 A-1	38,1	1½	25,22	35,30	35,60	22,23	11,10	36,2	6,6	50,8	3,92	127,0	139,0	5,40	111,12
140	⁹	28 A-1	44,45	1¾	25,22	37,00	37,30	25,40	12,70	42,2	7,4	54,9	4,70	172,4	178,5	7,30	111,12
160	⁹	32 A-1	50,8	2	31,55	45,00	45,30	28,58	14,27	48,2	7,9	65,5	6,42	226,8	231,0	9,90	111,12
200	⁹	40 A-1	63,5	2½	37,85	54,70	55,00	39,68	19,84	60,3	10,0	80,3	10,85	353,8	387,0	16,50	111,12

Heavy duty design with reinforced side plates and enlarged bearing areas

50 H		-	15,875	⅝	9,40	14,60	14,73	10,16	5,08	15,0	4,1	23,4	0,75	22,2	32,0	1,18	11
60 H	⁹	-	19,05	¾	12,57	19,45	19,60	11,91	5,94	18,0	4,6	28,9	1,16	31,8	42,0	1,94	11
80 H	⁹	-	25,4	1	15,75	24,28	24,48	15,88	7,92	24,1	5,4	37,0	1,92	56,7	72,0	3,04	111
100 H	⁹	-	31,75	1¼	18,90	29,10	29,30	19,05	9,53	30,1	6,1	44,0	2,77	88,5	96,0	4,25	111
120 H	⁹	-	38,1	1½	25,22	37,00	37,30	22,23	11,10	36,2	6,6	54,0	4,13	127,0	141,0	6,40	111
140 H	⁹	-	44,45	1¾	25,22	38,70	39,00	25,40	12,70	42,2	7,4	58,0	4,94	172,4	180,0	8,30	111
160 H	⁹	-	50,8	2	31,55	46,90	47,20	28,58	14,27	48,2	7,9	68,0	6,70	226,8	233,0	11,50	111
200 H	⁹	-	63,5	2½	37,85	57,60	57,90	39,68	19,84	60,3	10,0	84,0	11,60	353,8	400,0	20,00	111

Electrogalvanised or nickel-plated chains on request. In this case chains may only have 80 % of the tensile strength.

² without rollers (DIN 8154) ⁹ dismountable designs (with cottered/split pins) on request

For details on orders and enquiries see page 128. Sprockets on request.
Details on the selection of chain sizes and drives as of page 115.

Connecting links: According to DIN (...)



No. 4 (B)
Inner link



No. 7 (A)
Outer link
(to be riveted)



No. 11 (E)
Spring clip
connecting link



No. 111 (S)
Connecting link
with cottered pin



No. 12 (L)
Single
cranked link

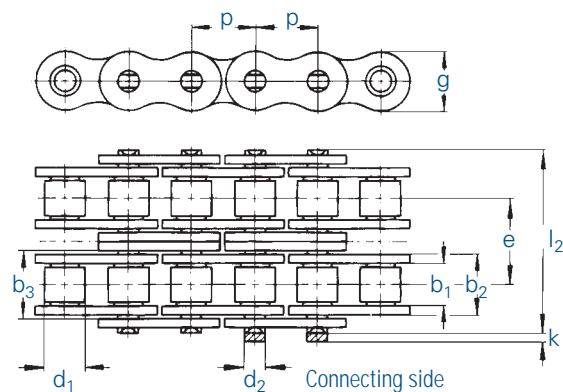
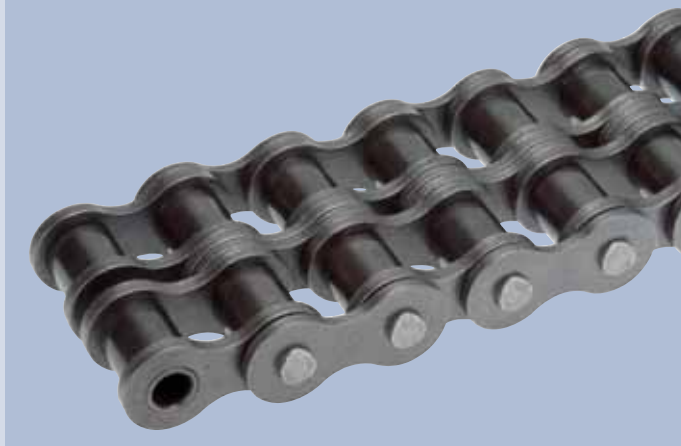


No. 15 (C)
Double
cranked link



DUPLEX ROLLER CHAINS ACCORDING TO DIN 8188-1 (AMERICAN TYPE)

corresponding to ISO 606



Chain		DIN	Pitch		Inner width	Inner link width	Outer plate width	Roller Ø	Pin Ø	Transverse pitch	Plate height	Projection over connecting link	Width over pin	Bearing area	Minimum tensile strength DIN	Minimum tensile strength	Weight	Connecting links
⚙			p		b ₁ min.	b ₂ max.	b ₃ min.	d ₁ max.	d ₂ max.	e	g max.	k max.	l ₂ max.	f	F _B min.	F _B min.	q ≈	No.
No.	Ind.	No.	mm	inch	mm	mm	mm	mm	mm	mm	mm	mm	mm	cm ²	kN	kN	kg/m	No.
35-2	²	06 C-2	9,525	3/8	4,68	7,47	7,52	5,08	3,58	10,13	9,0	3,3	23,4	0,53	15,8	17,0	0,70	11,12,15
40-2		08 A-2	12,7	1/2	7,85	11,15	11,28	7,95	3,96	14,38	12,0	3,9	32,3	0,88	28,2	29,7	1,20	11,12,15
50-2		10 A-2	15,875	5/8	9,40	13,80	13,93	10,16	5,08	18,11	15,0	4,1	39,9	1,40	44,4	62,0	1,78	11,12,15
60-2	⁹	12 A-2	19,05	3/4	12,57	17,70	17,85	11,91	5,94	22,78	18,0	4,6	49,8	2,10	63,6	76,0	3,15	11,111,12,15
80-2	⁹	16 A-2	25,4	1	15,75	22,50	22,70	15,88	7,92	29,29	24,1	5,4	62,7	3,56	113,4	135,0	4,90	11,111,12,15
100-2	⁹	20 A-2	31,75	1 1/4	18,90	27,40	27,60	19,05	9,53	35,76	30,1	6,1	77,0	5,22	177,0	205,0	7,60	111,12
120-2	⁹	24 A-2	38,1	1 1/2	25,22	35,30	35,60	22,23	11,10	45,44	36,2	6,6	96,3	7,84	254,0	290,0	10,80	111,12
140-2	⁹	28 A-2	44,45	1 3/4	25,22	37,00	37,30	25,40	12,70	48,87	42,2	7,4	103,0	9,40	344,8	357,0	14,30	111,12
160-2	⁹	32 A-2	50,8	2	31,55	45,00	45,30	28,58	14,27	58,55	48,2	7,9	124,0	12,84	453,6	455,0	19,40	111,12
200-2	⁹	40 A-2	63,5	2 1/2	37,85	54,70	55,00	39,68	19,84	71,55	60,3	10,0	151,0	21,70	707,6	730,0	33,00	111,12

Electrogalvanised or nickel-plated chains on request. In this case chains may only have 80 % of the tensile strength.

² without rollers (DIN 8154) ⁹ dismountable designs (with cottered/split pins) on request

For details on orders and enquiries see page 128. Sprockets on request.
Information on the selection of chain sizes and drives as of page 115.

Connecting links: According to DIN (...)



No. 4 (B)
Inner link



No. 7 (A)
Outer link
(to be riveted)



No. 11 (E)
Spring clip
connecting link



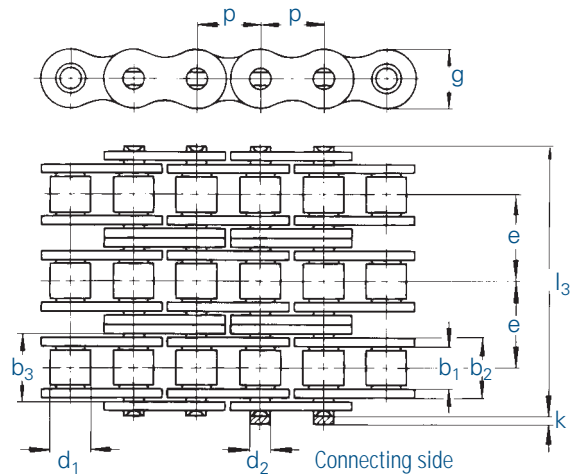
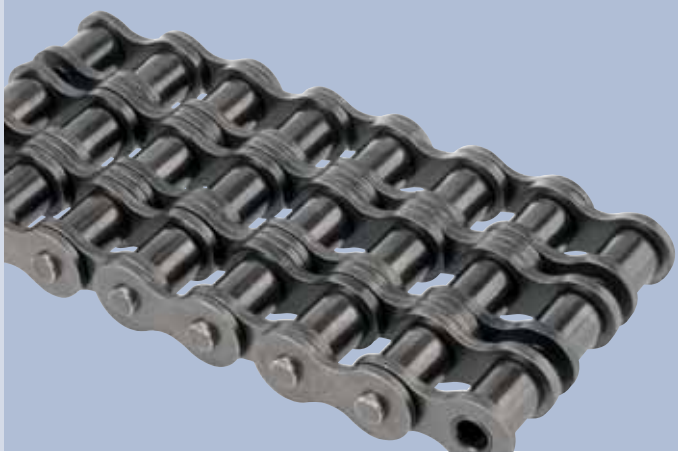
No. 111 (S)
Connecting link
with cottered pin



No. 12 (L)
Single
cranked link



No. 15 (C)
Double
cranked link



Chain		DIN	Pitch		Inner width b_1 min.	Inner link width b_2 max.	Outer plate width b_3 min.	Roller \varnothing d_1 max.	Pin \varnothing d_2 max.	Transverse pitch e	Plate height g max.	Projection over connecting link k max.	Width over pin l_2 max.	Bearing area f	Minimum tensile strength DIN F_B min.	Minimum tensile strength F_B min.	Weight q \approx	Connecting links No.
No.	Ind.		mm	inch														
35-3	²	06 C-3	9,525	$\frac{3}{8}$	4,68	7,47	7,52	5,08	3,58	10,13	9,0	3,3	33,5	0,80	23,7	25,5	1,05	11,12,15
40-3		08 A-3	12,7	$\frac{1}{2}$	7,85	11,15	11,28	7,95	3,96	14,38	12,0	3,9	46,7	1,32	42,3	41,2	1,80	11,12,15
50-3		10 A-3	15,875	$\frac{5}{8}$	9,40	13,80	13,93	10,16	5,08	18,11	15,0	4,1	57,9	2,10	66,6	88,0	3,02	11,12,15
60-3	⁹	12 A-3	19,05	$\frac{3}{4}$	12,57	17,70	17,85	11,91	5,94	22,78	18,0	4,6	72,6	3,15	95,4	105,0	4,70	11,111,12,15
80-3	⁹	16 A-3	25,4	1	15,75	22,50	22,70	15,88	7,92	29,29	24,1	5,4	91,7	5,35	170,1	193,0	7,50	11,111,12,15
100-3	⁹	20 A-3	31,75	$1\frac{1}{4}$	18,90	27,40	27,60	19,05	9,53	35,76	30,1	6,1	113,0	7,83	265,5	305,0	11,20	111,12
120-3	⁹	24 A-3	38,1	$1\frac{1}{2}$	25,22	35,30	35,60	22,23	11,10	45,44	36,2	6,6	141,0	11,76	381,0	410,0	16,10	111,12
140-3	⁹	28 A-3	44,45	$1\frac{3}{4}$	25,22	37,00	37,30	25,40	12,70	48,87	42,2	7,4	152,0	14,10	517,2	520,0	21,40	111,12
160-3	⁹	32 A-3	50,8	2	31,55	45,00	45,30	28,58	14,27	58,55	48,2	7,9	182,0	19,26	680,4	685,0	29,10	111,12
200-3	⁹	40 A-3	63,5	$2\frac{1}{2}$	37,85	54,70	55,00	39,68	19,84	71,55	60,3	10,0	223,0	32,56	1061,4	1095,0	50,00	111,12

Electrogalvanised or nickel-plated chains on request. In this case chains may only have 80 % of the tensile strength.

² without rollers (DIN 8154) ⁹ dismantlable designs (with cottered/split pins) on request

For details on orders and enquiries see page 128. Sprockets on request.
Information on the selection of chain sizes and drives as of page 115.

Connecting links: According to DIN (...)



No. 4 (B)
Inner link



No. 7 (A)
Outer link
(to be riveted)



No. 11 (E)
Spring clip
connecting link



No. 111 (S)
Connecting link
with cottered pin



No. 12 (L)
Single
cranked link



No. 15 (C)
Double
cranked link